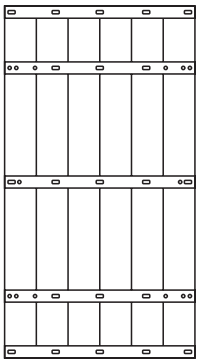


# Tramark Assembly Instruction

1

Attention. Please get some help to carry the wooden plate to protect yourself and the plate from any damage.

For any assistance or problems please contact us:  
0171 - 511 03 47.



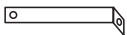
1x Plate



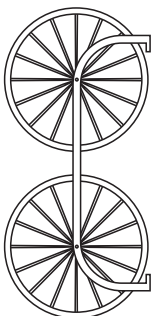
4x Poles



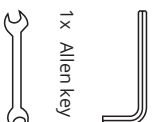
1x Longer pole



2x Ankle element



2x Chassis

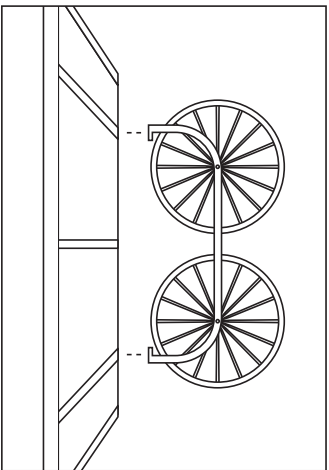


1x Allen key

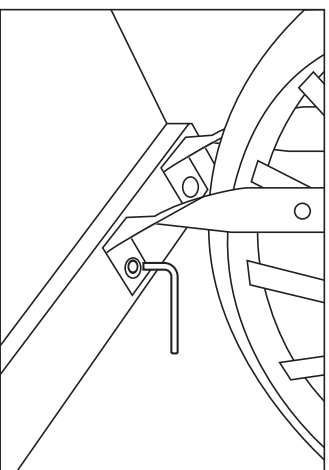
1x Double openended spanner



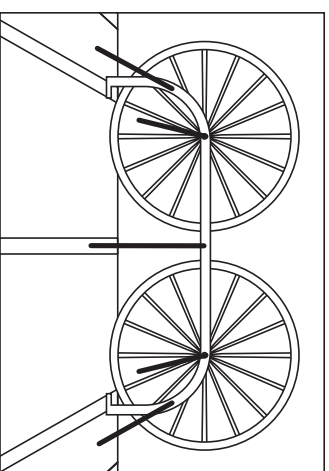
10x Screws



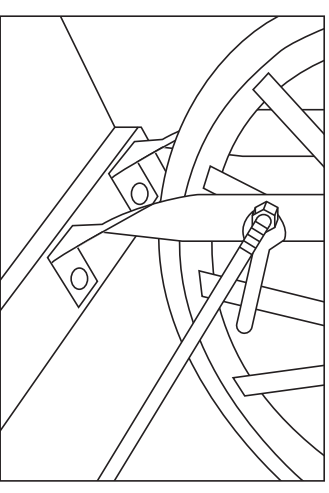
1. Place the first part of chassis on the alphabetic marks of the wooden plate. The frame part with the 5 holes should be facing to the middle.



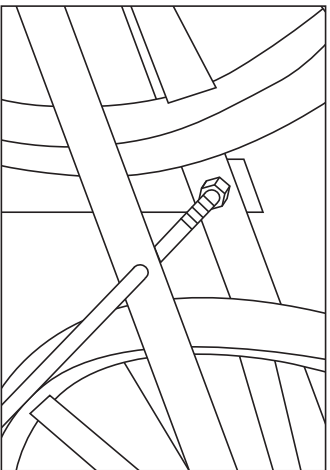
2. Use the screws and attach the chassis with the Allen key to the wooden plate.



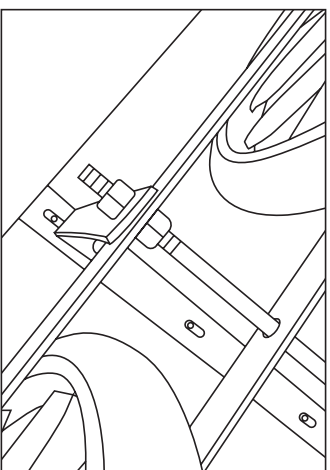
3. Put the connection poles into the holes. The longest pole will be placed in the middle hole. Before putting the longest pole through the outer whole please fix it with a screw from the inside.



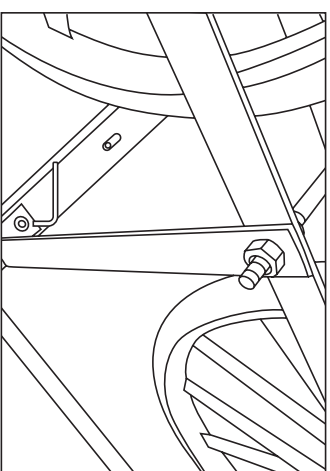
4. Fix the connection poles on both sides of the frame. Therefore use the double open spanner.



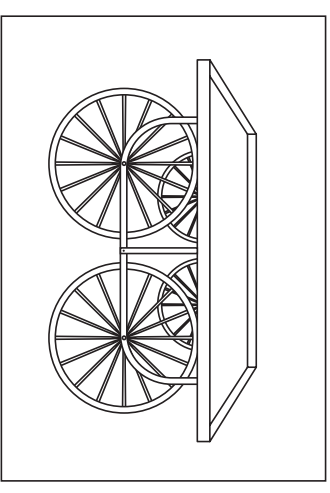
5. Fix the ankle element on the outside of the frame. The short part must show to the middle of the plate.



6. Now you can fix it with another screw to the long middle pole.



7. Use the screws to fix the ankle element to the wooden plate. Repeat the steps in the following order: 3 - 4 - 2 - 5 - 6 - 7, with the second chassis part and your TRAMARK cart is ready to use.



Have fun with your display cart.

If you're looking for additional products please visit [www.tramark.de](http://www.tramark.de)